



JOB NAME:

CAT#:

TYPE:

APPLICATIONS

Premium grade LED narrow channel fixture. For use in indoor applications such as factories, warehouses, workshops, utility areas, coves and public buildings where industrial grade is required.

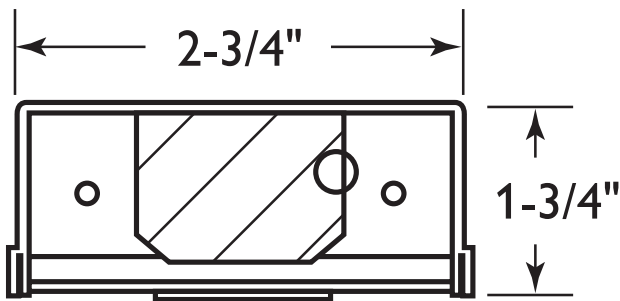
Housing is die-formed from cold rolled steel. Finish is high reflectance baked white enamel. Single wireway cover on non-tandem units. Knockouts are provided for stem mounting. Mounting holes are provided.



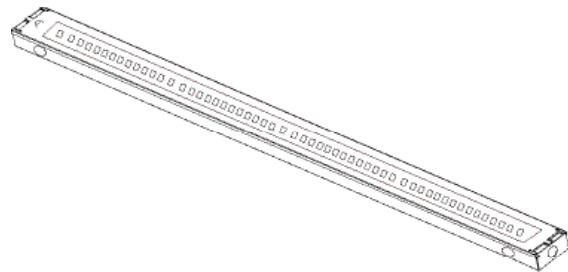
FEATURES & BENEFITS

- Snap-on components for easy assembly and maintenance
- Versatile end plate doubles as coupler for continuous row mounting
- Available in 24", 36" 48", 72" and 96" (2', 3', 4', 6', & 8' lengths)
- Surface, stem or chain mountable
- Narrow body width 2 3/4" nominal
- ETL Listed for damp locations
- Min CRI 82

DIMENSIONS



LINE ART



Dimensions and specifications subject to change without notice.





JOB NAME:

CAT#:

TYPE:

ORDERING

EXAMPLE: 42 24 LED 18 DMV 8 30 EM LR WP OS W30

42

1. SERIES	2. SIZE ¹	3. GEAR	4. WATTAGE/LUMENS	5. DRIVER	6. LENS	7. COLOR TEMP
42	24 24" 48 48" 72 72" 96 96"	LED	2 ft. 18 18 Watts 2590 Lumens 24 24 Watts 3355 Lumens 28 28 Watts 3705 Lumens 30 30 Watts 3925 Lumens 4 ft. 24 24 Watts 3475 Lumens 30 30 Watts 4310 Lumens 35 35 Watts 4920 Lumens 48 48 Watts 6475 Lumens 57 57 Watts 7755 Lumens 8 ft. 24 24 Watts 3475 Lumens 48 48 Watts 6475 Lumens 57 57 Watts 7755 Lumens 70 70 Watts 9840 Lumens 97 97 Watts 12950 Lumens 118 118 Watts 15510 Lumens	DMV 120-277VAC 0-10V Dimmable	(Blank) No Lens FR Frosted Lens	30 3000K 35 3500K 40 4000K 50 5000K

8. EMERGENCY (O)² EM 10W Emergency EM5 5W Emergency battery pack ~650 Lumens	9. LENS READY (O)² LR Lens ready	10. WHIP/CORD (O)² WP 6' WIP 3 wire CS Cord 18/3 6" *See chart below for whip & cord ordering options	11. SENSOR (O)² OS Occupancy Sensor SS Occupancy Sensor-Internal Microwave	12. REFLECTOR (O)² W30 White steel reflector W35 Asymmetric reflector W65 Curved asymmetric reflector
---	--	--	--	---

*Cord & Whip Ordering Chart (Add to End of Fixture Part Number)						
Part No.	# of Wires	Length	End Fitting	Finish	Voltage	Amps (TL Only)
WP - Whip CS - Cordset	(Blank) 3 Wire 4 - 4 Wire 5 - 5 Wire 6 - 6 Wire	(Blank) 6 feet 8 - 8 feet 10 - 10 feet 12 - 12 feet 15 - 15 feet	(Blank) No Plug P* - Standard Plug TL* - Twist Lock	BK - Black WH - White	(Blank) 120-277V 120 - 120V 277 - 277V 347 - 347V 480 - 480V	15 - 15 Amps 20 - 20 Amps

ACCESSORIES

- A69** Wireguard per 4ft.
- L1084** 4ft. lens
- M38-LED** Ends to add lens; requires 2 per fixture

Notes:
¹Consult factory for 36" and 72". 36" is special order.
 Consult factory for wattages
²(O) is optional
 Dimensions and specifications subject to change without notice.

